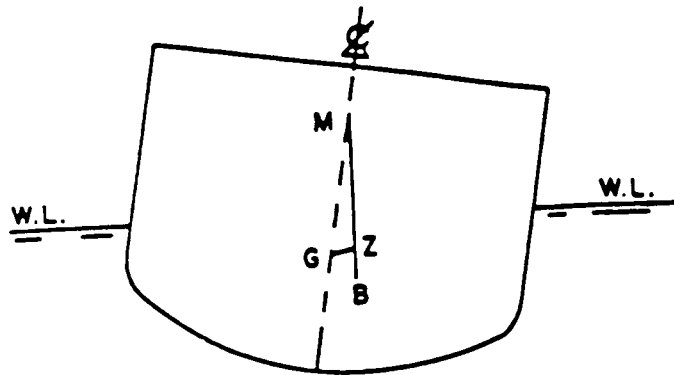
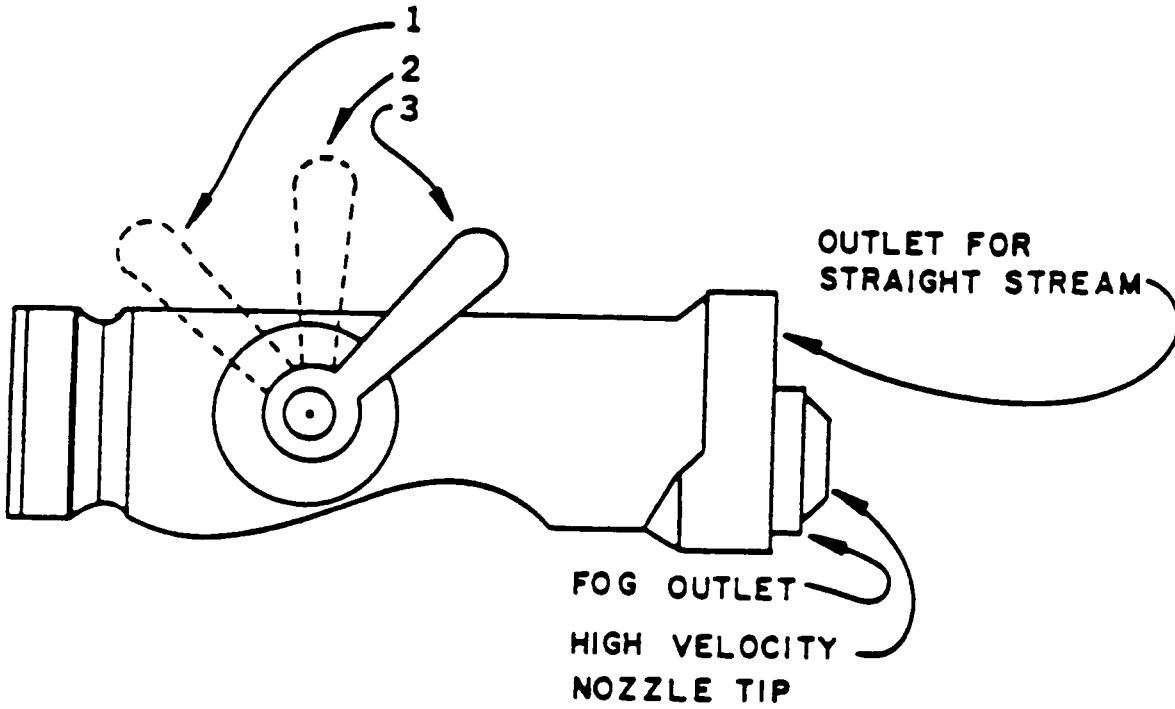


**CHAPTER 4**  
**SAFETY**

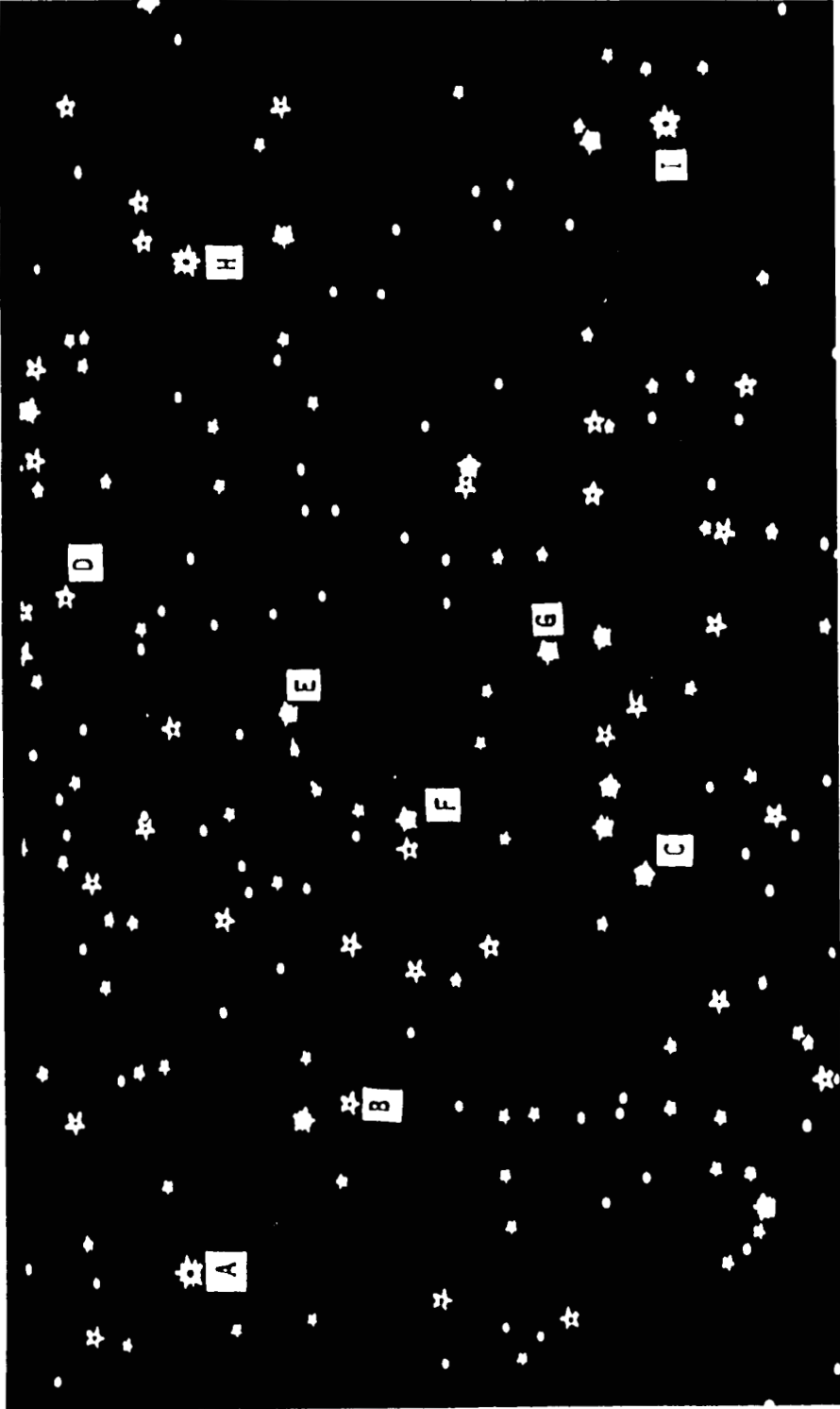


D001SA

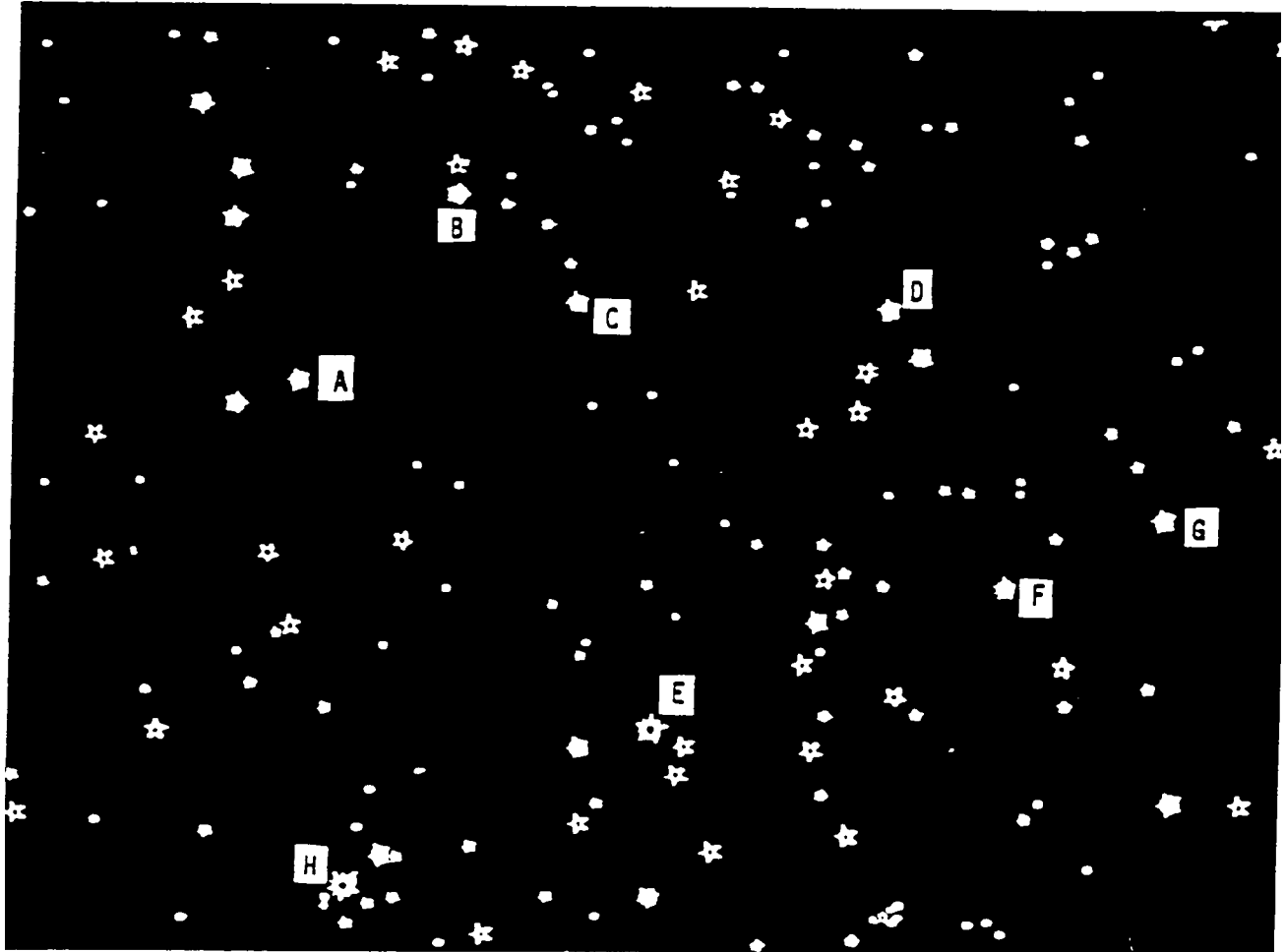
D002SA AND D003SA: RESERVED



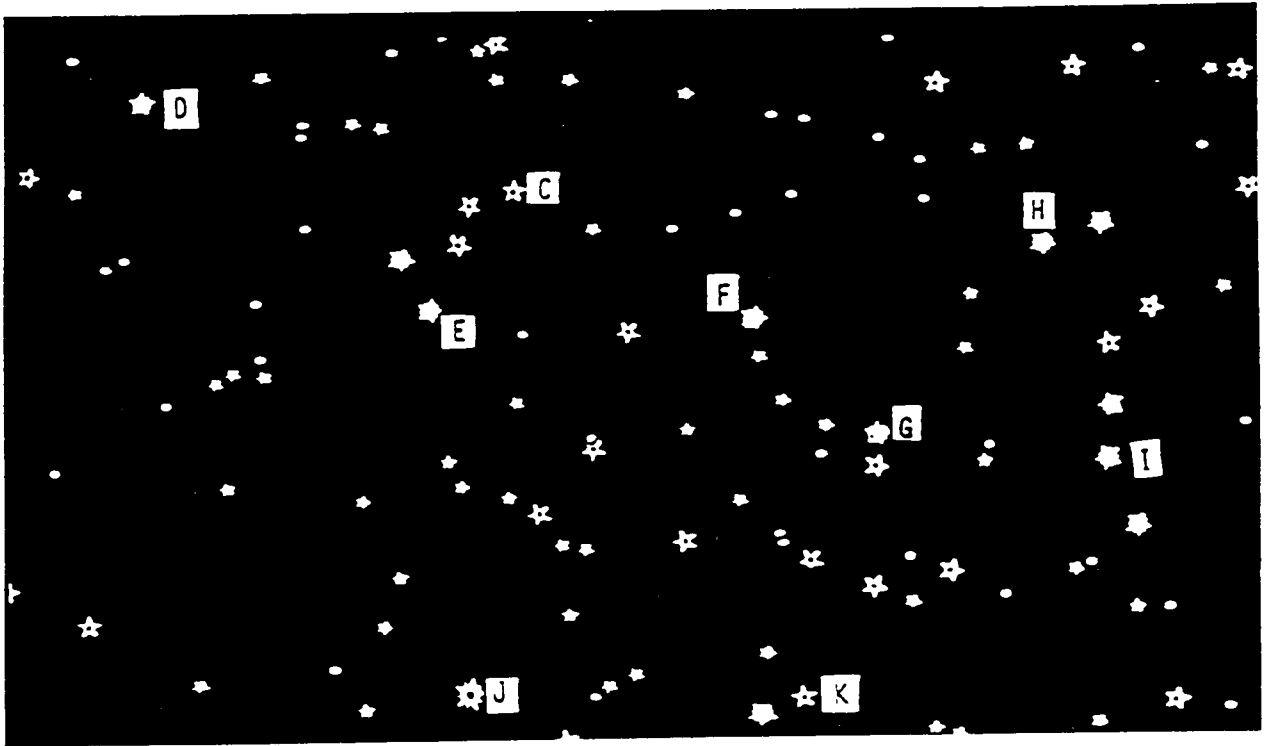
D004SA



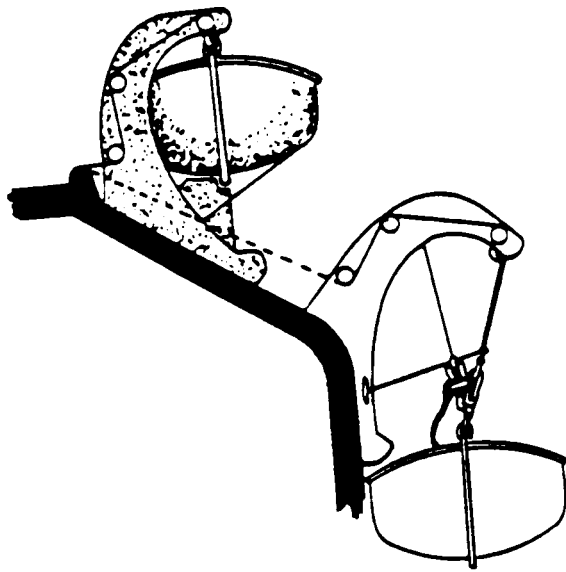
D0055A



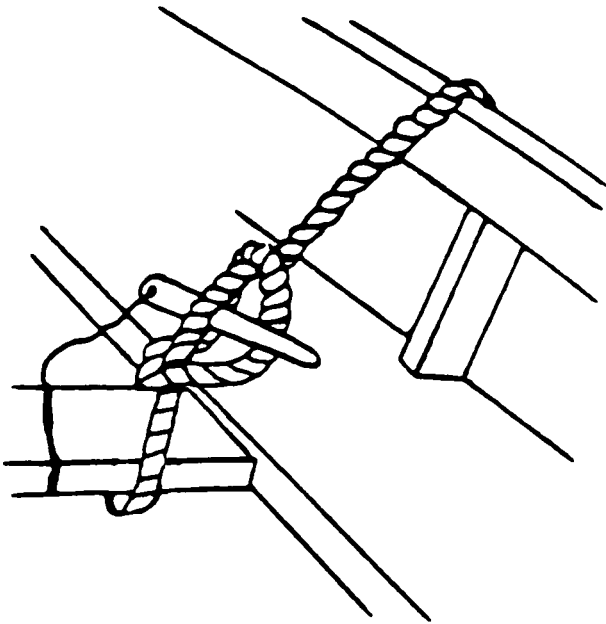
D006SA



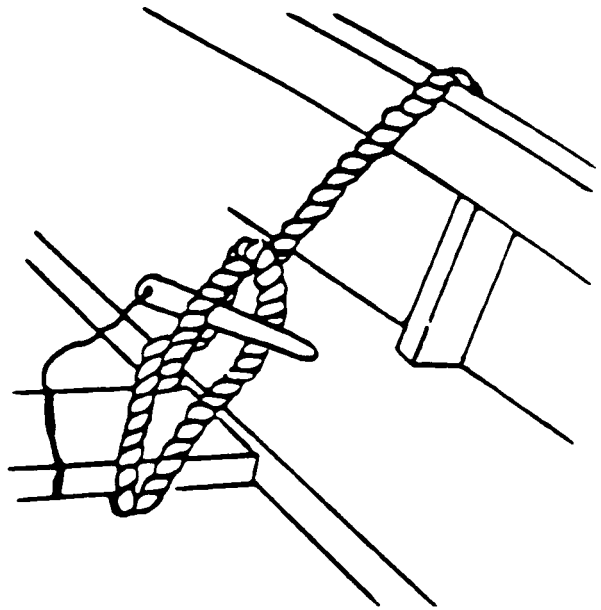
D007SA



**D008SA**

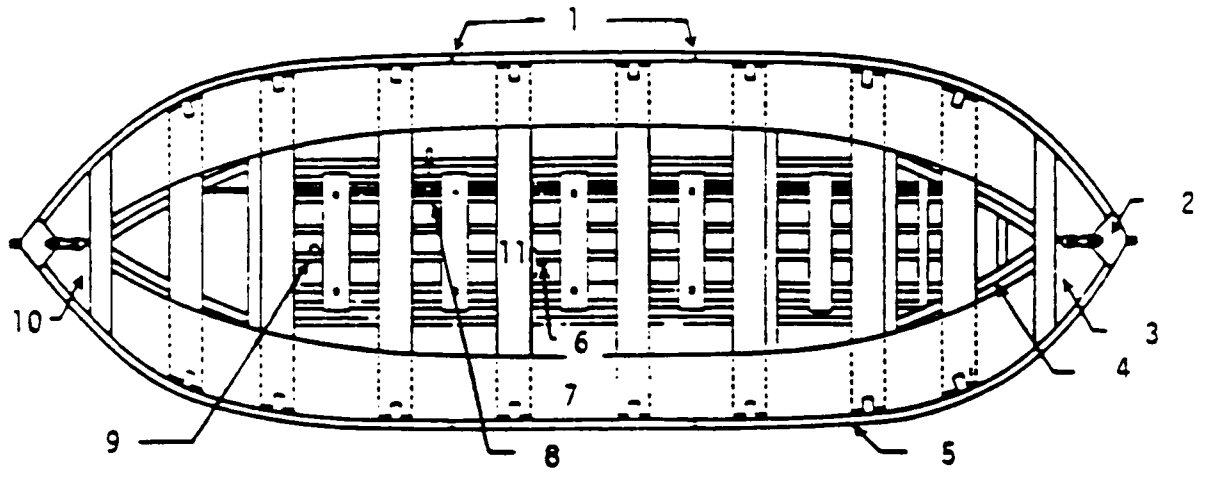


1

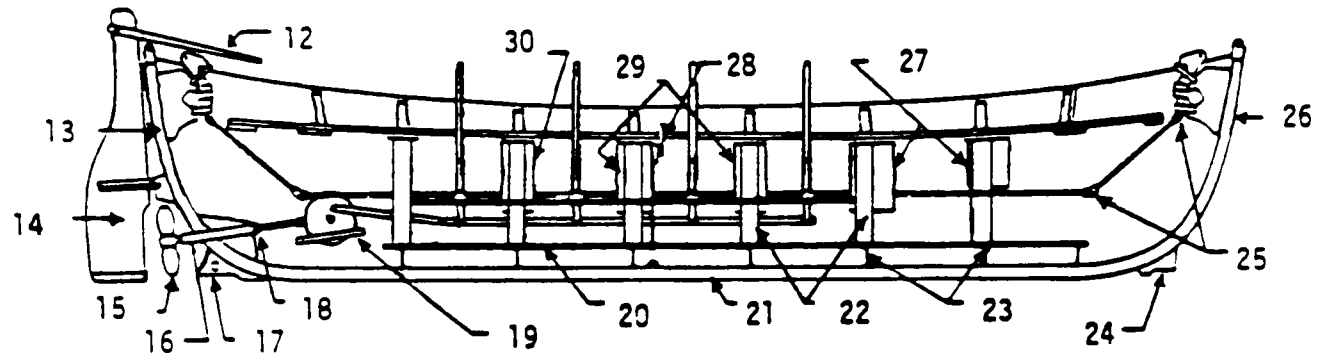


2

**D009SA**

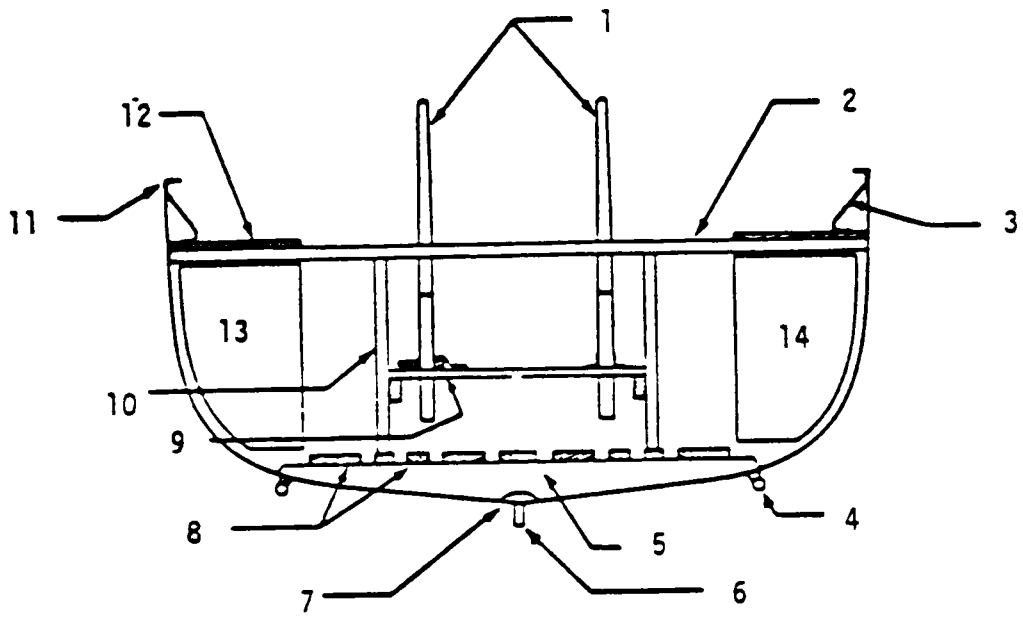


**HAND-PROPELLED LIFEBOAT**  
View from above

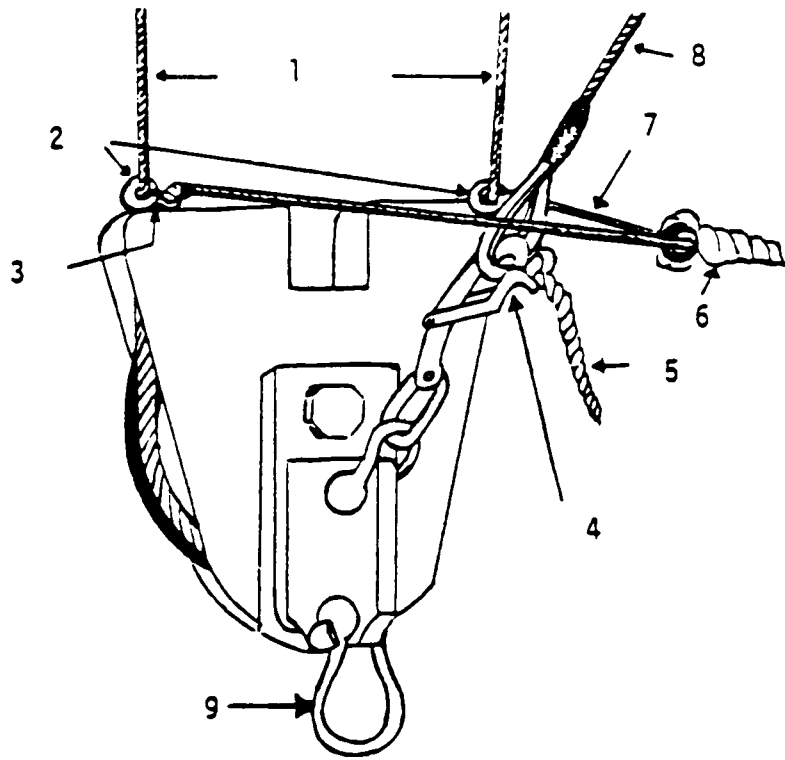


**HAND-PROPELLED LIFEBOAT**  
Profile view

**D010SA**

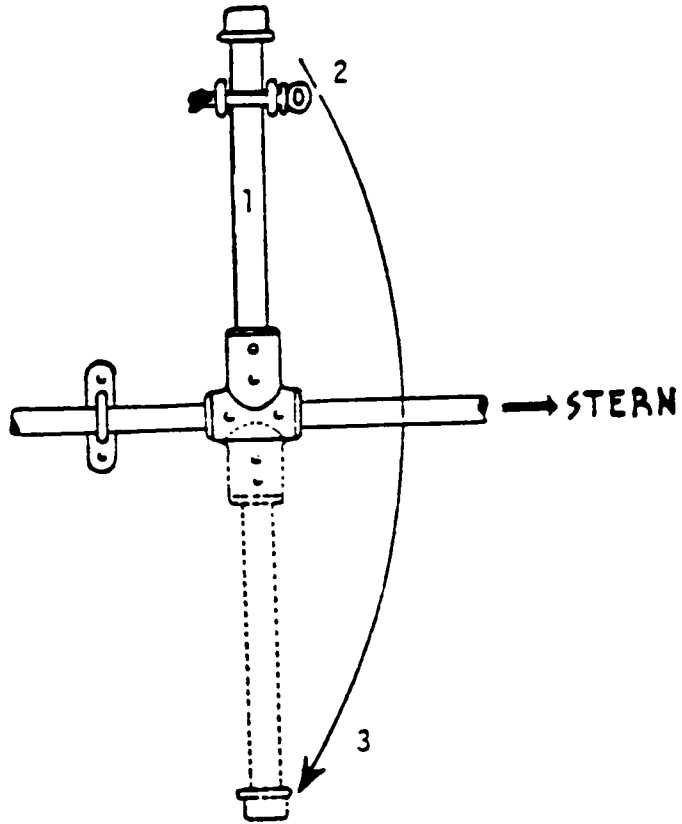


D011SA



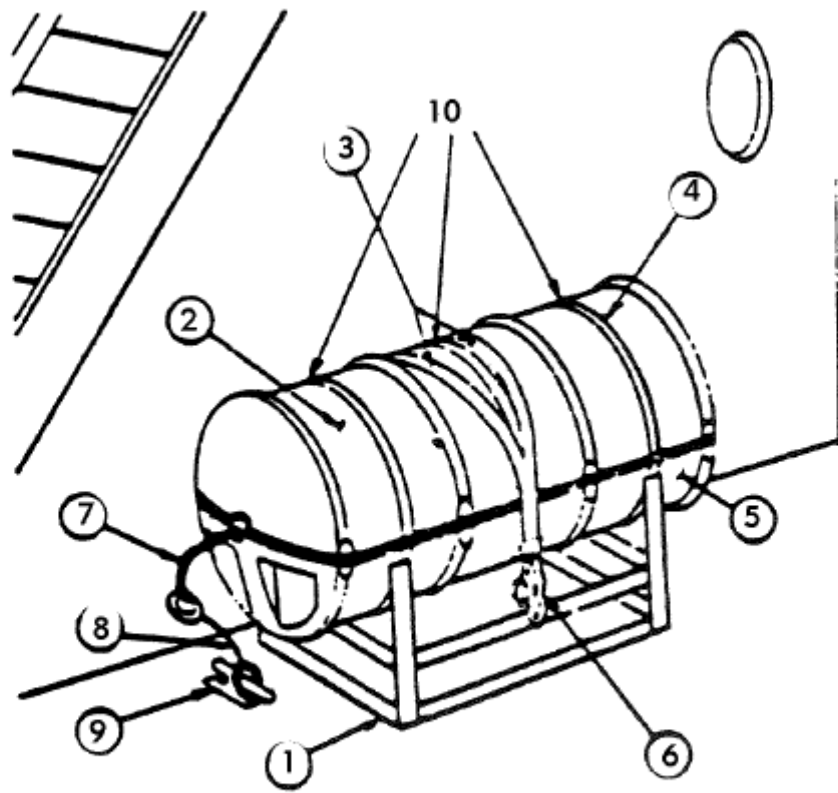
D012SA



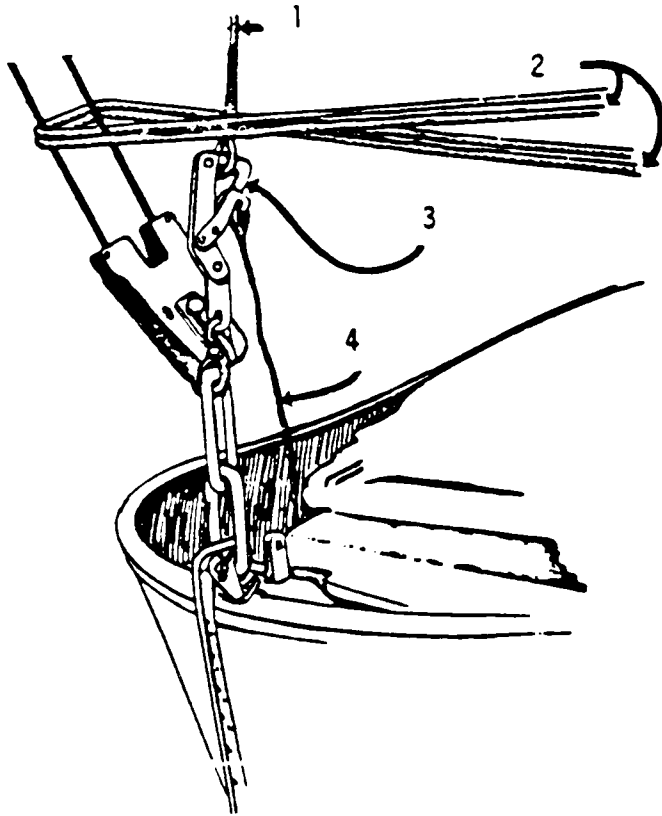


**D013SA**

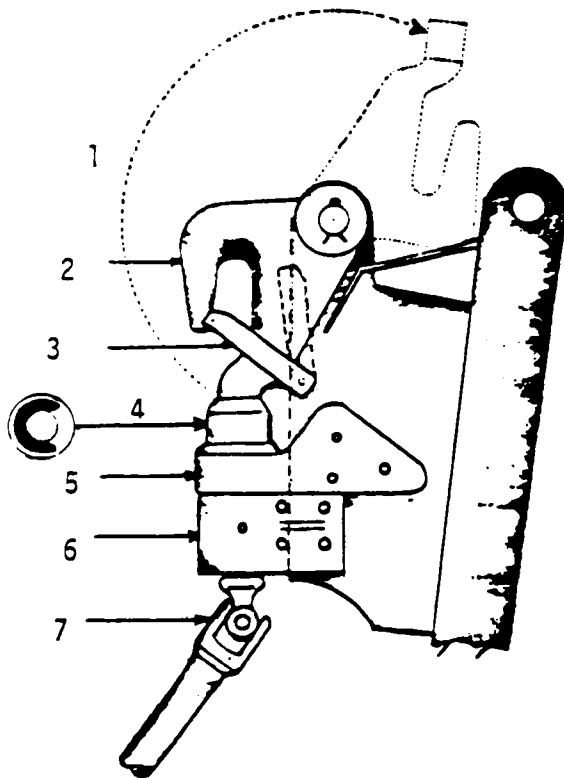




D015SA



D016SA



D017SA